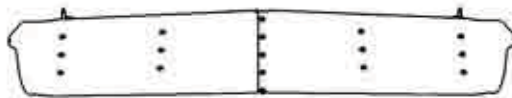


INSTALLATION INSTRUCTIONS

- 1- REMOVE THE EXISTING SUN VISOR AND KEEP THE FASTENING HARDWARE.
- 2- INSTALL THE BRACKETS ONTO THE EXISTING HOLES.
- 3- USE THE FASTENING HARDWARE FROM PREVIOUS VISOR
- 4- FASTEN THE SUN VISOR ON THE SUPPORTS USING THE SUPPLIED FASTENING HARDWARE, BUT DON'T COMPLETELY TIGHTEN.
- 5- USING THE SUN VISOR, MARK OUT HOLES ON BOTH ENDS.
- 6- IT IS SUGGESTED TO REMOVE SUN VISOR TO PREVENT DAMAGE.
- 7- DRILL THE PREVIOUSLY MARKED OUT HOLES AT 1/2 IN. DIA.
- 8- INSERT THE WELL NUTS IN THE HOLES
- 9- FASTEN THE SUN VISOR USING THE FASTENING HARDWARE.
- 10- VERIFY THAT ALL BOLTS AND SCREWS ARE FERMALY TIGHTENED.

ENJOY.



		NAME	DATE	<h1>TRUX</h1>	
DESSINÉ PAR	P.W.	16-01-2008			
VÉRIFIÉ PAR				TITLE: Sunvisor for curved glass 2007 & Up	
FTR MTL RÉEL :					
MATERIAL FACTOR:-				SIZE	
PÉRIMÈTRE DE COUPE: -					
UNLESS OTHERWISE SPECIFIED: DIMENSIONS ARE IN INCHES TOLERANCES: FRACTIONAL ± 1/32 BEND ± .0625 TWO PLACE DECIMAL ± .02 THREE PLACE DECIMAL ± .003				DWG. NO. A TSUN-K5 & K7	
				REV PH1	
		SCALE: 1:24	WEIGHT: LBS	SHEET: 1 OF 1	

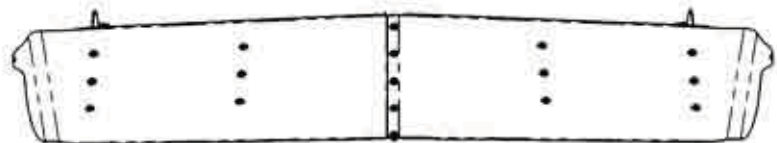
5

4

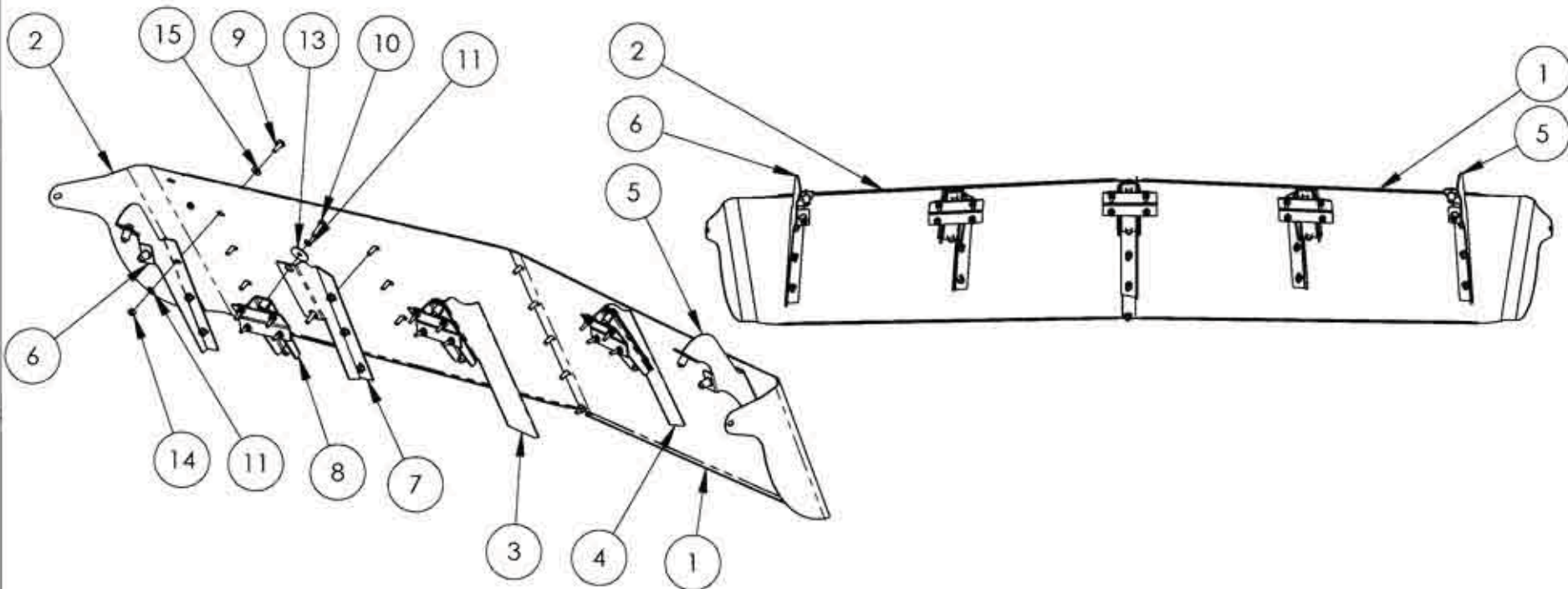
3

2

1



REV.	REV. DESCRIPTION	REV BY	DATE
A	AJOUTE FLAT WASHER 1/4" X 1" D.E., QTE 21 ÉTAIT 29 & QTE 4 ÉTAIT 6 ENLÈVE TRUSS PHILIPS 1/4" X 1" LG	P.W.	2008-04-09
B	AJOUTÉ VUE ARRIÈRE	P.W.	2008-04-25



No. ARTICLE	NUMERO DE PIÈCE	DESCRIPTION	QTÉ
1	CL7231012-D00	PANNEAU PARE SOLEIL	1
2	CL7231012-G00	PANNEAU PARE SOLEIL	1
3	CL9231012-C01	SUPPORT CENTRAL	1
4	CL9231012-D02	SUPPORT DE GAUCHE INTÉRIEUR	1
5	CL9231012-D01	SUPPORT DE DROITE EXTÉRIEUR	1
6	CL9231012-G01	SUPPORT DE DROITE EXTÉRIEUR	1
7	CL9231012-G02	SUPPORT DE GAUCHE INTÉRIEUR	1
8	9231012	SUPPORT DE SUPPORT DE PARE-SOLEIL	3
9	-	TRUSS HD. SCREW 1/4NC X 3/4	17
10	-	HEX. BOLT 1/4NC X 1	10
11	-	LOCK WASHER 1/4	27
12	-	LF INSERT STL 1/4-20 X .165	4
13	-	FLAT WASHER 1/4" D.I. X 1" D.E.	6
14	-	HEX NUT 1/4-20NC	17
15	-	FLAT WASHER 1/4"	21

DESSINÉ PAR	NAME	DATE
VÉRIFIÉ PAR		
FIR MTL RÉEL :		
MATERIAL FACTOR: -		
PÉRIMÈTRE DE COUPE: -		
UNLESS OTHERWISE SPECIFIED: DIMENSIONS ARE IN INCHES TOLERANCES: FRACTIONAL ± 1/32 BEND ± .0625 TWO PLACE DECIMAL ± .02 THREE PLACE DECIMAL ± .003		

<h1>TRUX</h1>		
TITLE: Sunvisor for curved glass 2007 & Up		
SIZE	DWG. NO.	REV
A	TSUN-K5 & K7	PH1
SCALE: 1:10	WEIGHT: LBS	SHEET: 1 OF 1